



ILLUSTRATED PARTS LIST

FOR HEDGE TRIMMER

MODEL: HT2300D

CONTENTS

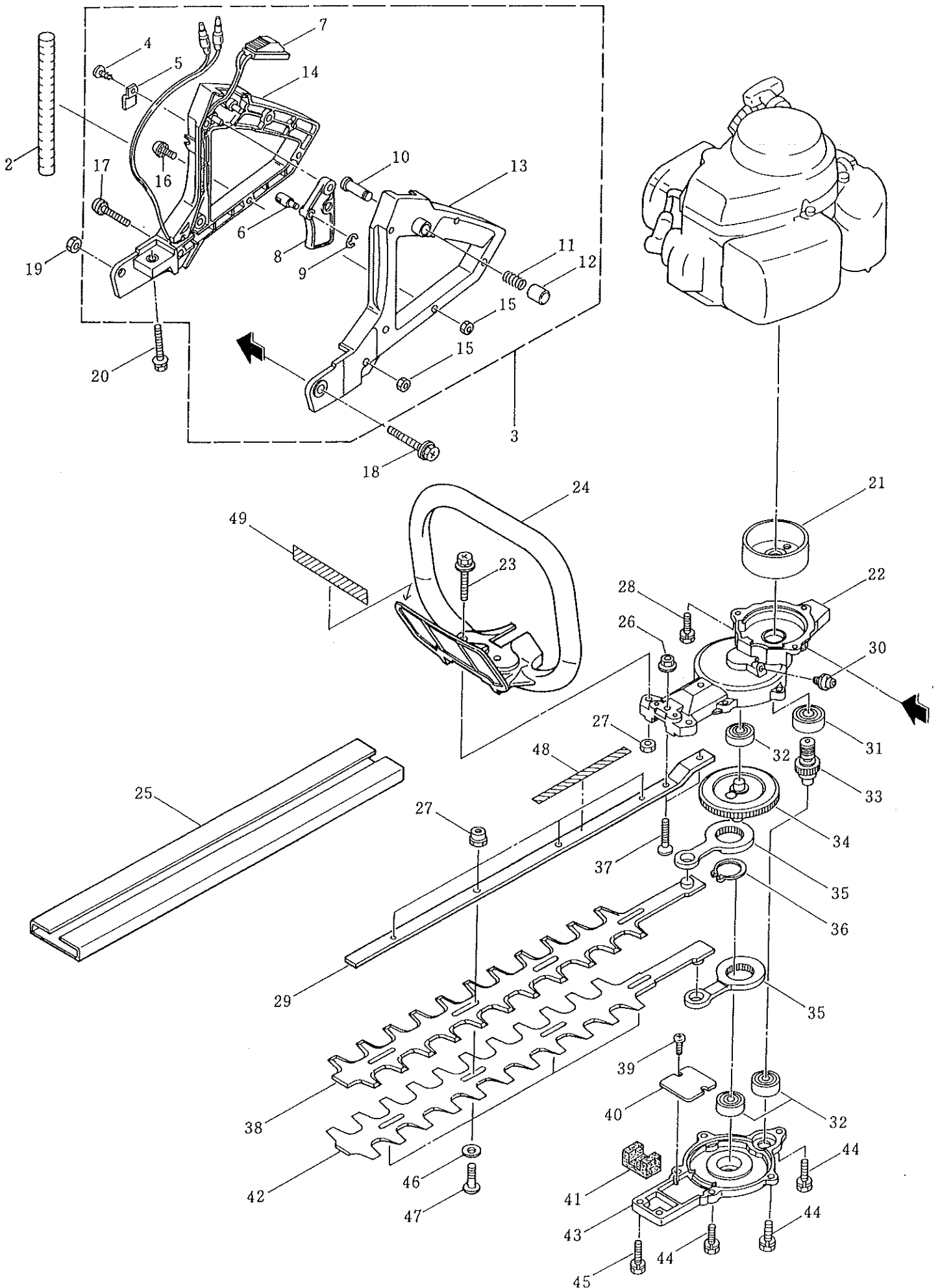
	PAGE
1•MAIN BODY	1~2
2•ENGINE & FUEL TANK	3~4
3•CARBURETOR & REWIND STARTER	5~6
4•ACCESSORIES	7

1997. 6.

P/N 520852

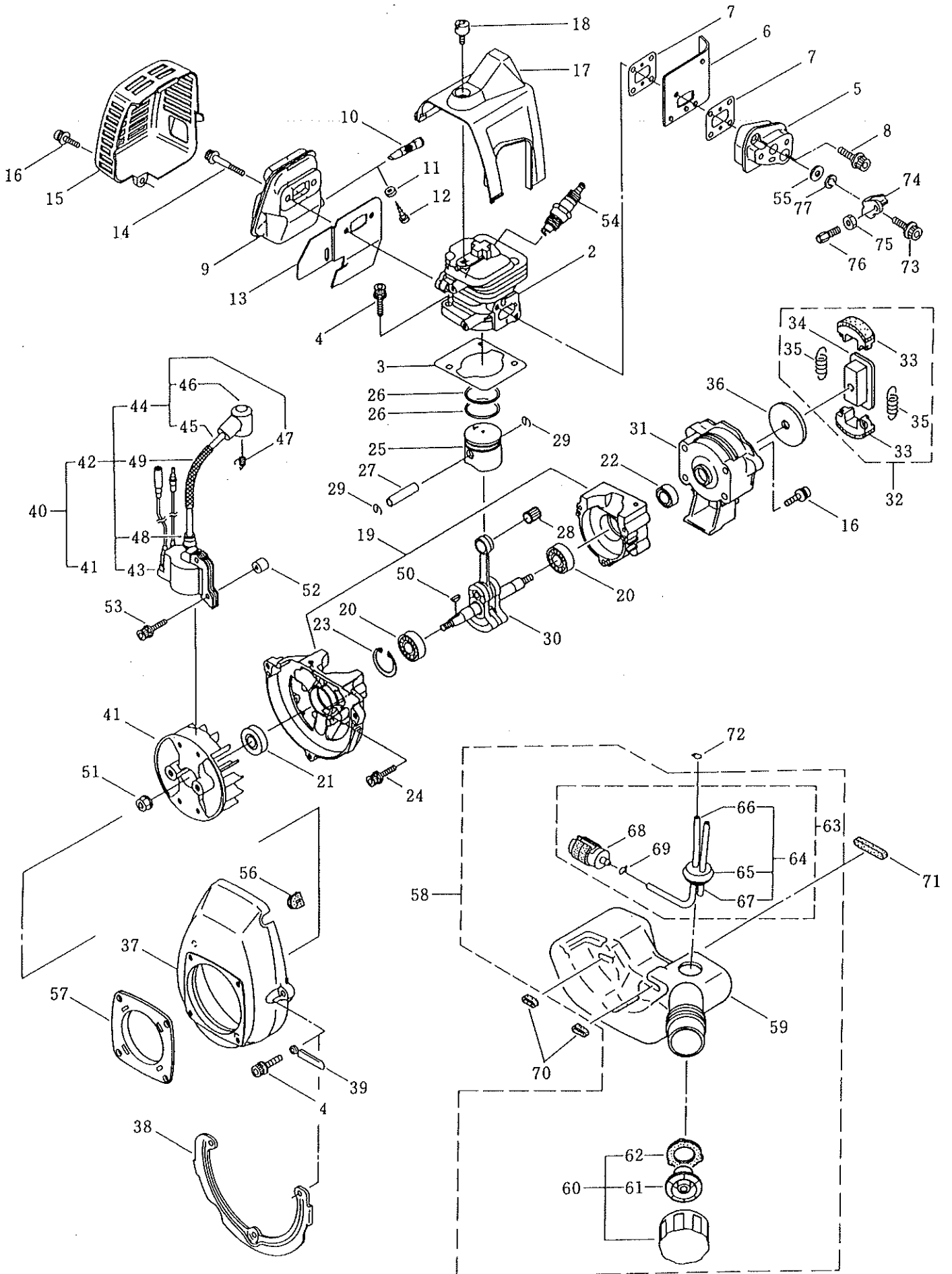
P. O. Box 2167, Redmond, WA 98073-2167

1 • MAIN BODY



Ref. No	Part No.	Part Name	Q'ty	Remarks
1- 1	362024	HT2300D	1	
1- 2	270023	Tube	1	
1- 3	270146	Rear Handle Ass'y	1	Incl. 4~17
1- 4	997258	Screw	1	M4x10
1- 5	997259	Holder, Cable	1	
1- 6	997260	Swivel	1	
1- 7	270145	Switch, Stop	1	
1- 8	997262	Lever, Throttle	1	
1- 9	997263	E-Ring	1	#2.5
1-10	997264	Pin ,Lever	1	
1-11	997265	Spring	1	
1-12	997266	Fixing Knob	1	
1-13	270147	Rear Handle (L)	1	
1-14	270099	Rear Handle (R)	1	
1-15	997271	Nut	6	M4
1-16	997268	Screw	5	M4x16
1-17	997269	Screw	1	M4x30
1-18	270119	Bolt	1	M6x50
1-19	997253	Nut	1	M6
1-20	270120	Bolt	1	M6x40
1-21	270021	Drum	1	
1-22	584661	Upper Case	1	
1-23	270029	Bolt	2	M6x35
1-24	582441	Front Handle	1	
1-25	217677	Cover of Blade	1	
1-26	997244	Frange Nut	2	M5
1-27	991941	U-Nut	6	M6
1-28	270030	Bolt	2	M6x20
1-29	581912	Guide Plate	1	
1-30	991937	Grease Nipple	1	M6
1-31	580767	Bearing	1	#6001 2RS
1-32	580768	Bearing	3	#608Z
1-33	584666	Pinion	1	
1-34	591443	Crank Comp	1	
1-35	997282	Rod Ass'y	2	
1-36	580777	Snap Ring	1	S26
1-37	997284	Screw	2	M5x16
1-38	570687	Upper Blade	1	
1-39	991924	Screw	2	M3x5
1-40	991919	Plate, Rod Slide	1	
1-41	997286	Felt	1	
1-42	570688	Lower Blade	1	
1-43	997288	Lower Case	1	
1-44	580791	Bolt	5	M5x16
1-45	580790	Bolt	2	M5x20
1-46	991913	Washer	4	
1-47	991914	Screw	4	
1-48	591450	Label	1	
1-49	591449	Label	1	

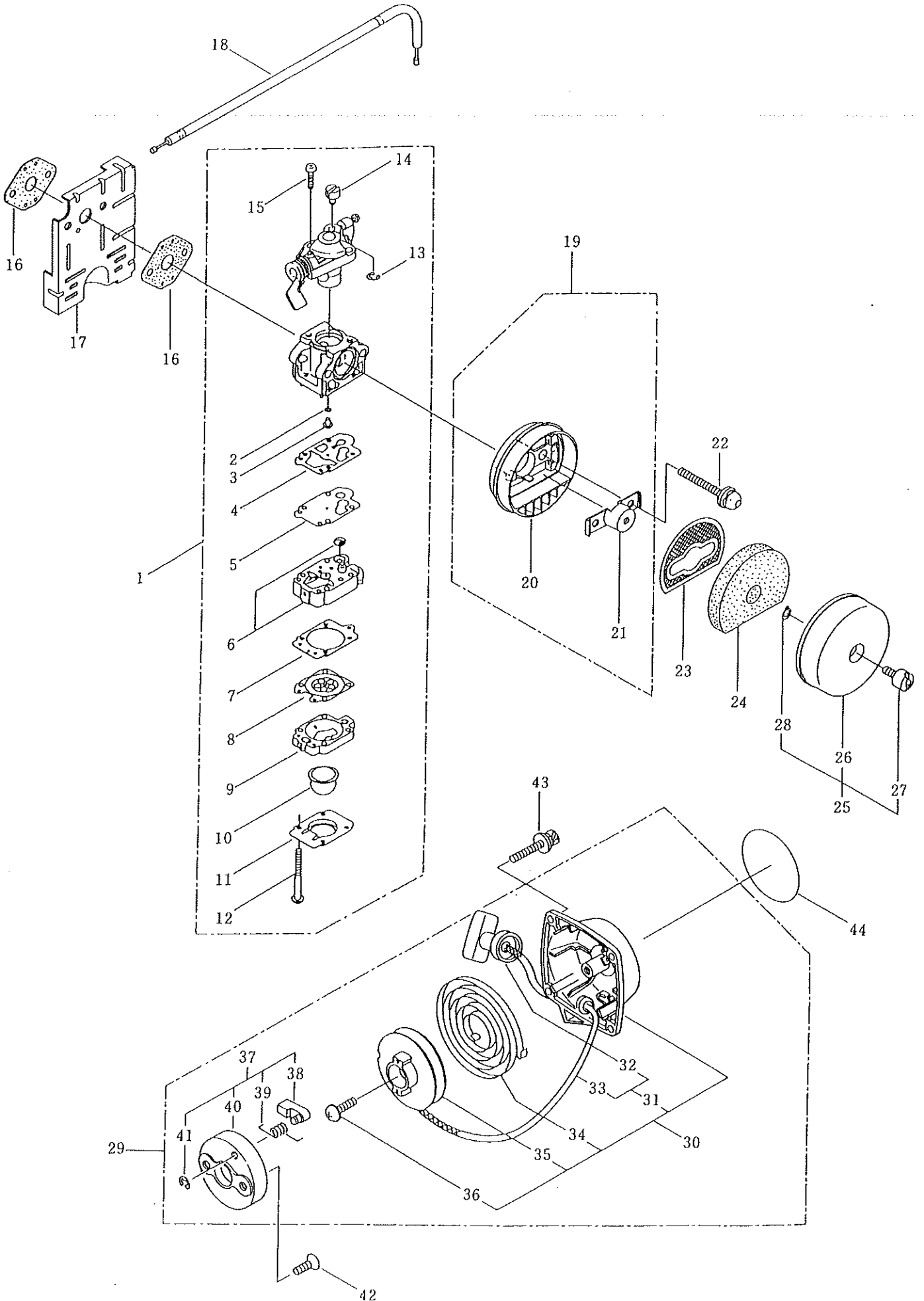
2 • ENGINE & FUEL TANK



Ref. No	Part No.	Part Name	Q'ty	Remarks
2- 1	850130	Engine	1	LE230/40(266342)
2- 2	263768	Cylinder	1	New gasket
2- 3	263770	Gasket	1	required
2- 4	261250	Cap Screw	5	M5x20
2- 5	265802	Insulator	1	New gasket required
2- 6	265794	Air Duct	1	
2- 7	261171	Gasket	2	
2- 8	265924	Cap Screw	1	M5x25
2- 9	264729	Muffler	1	
2-10	262395	Spark Arrester	1	
2-11	264857	Washer	1	
2-12	089530	Tapping Screw	1	M3x10
2-13	263777	Gasket	1	
2-14	264223	Cap Screw	2	M5X40
2-15	263802	Muffler Cover	1	
2-16	261607	Cap Screw	5	M5x16
2-17	264670	Cylinder Cover	1	
2-18	265742	Knob	1	
2-19	264542	Crankcase Comp	1	
2-20	261181	Bearing	2	#6000C3
2-21	262712	Oil Seal	1	TC10267
2-22	262713	Oil Seal	1	TC10207
2-23	054676	Snap Ring	1	H26
2-24	261246	Cap Screw	3	M5x25
2-25	264719	Piston	1	
2-26	264891	Piston Ring	2	(2)required
2-27	261036	Piston Pin	1	
2-28	263957	Bearing, Needle	1	KTV81112EG01 B2
2-29	261576	Clip, Piston	2	
2-30	264643	Shaft Comp	1	
2-31	264585	Clutch Case	1	
2-32	264959	Clutch Ass'y	1	Incl. 33~35
2-33	264960	Clutch Shoe	2	(2)required
2-34	264963	Clutch Boss	1	
2-35	264964	Spring	2	(2)required
2-36	264646	Washer	1	
2-37	263799	Fan Cover	1	
2-38	265972	Plate	1	
2-39	264588	Clamp	1	
2-40	264968	Magneto Ass'y	1	Incl. 41~49

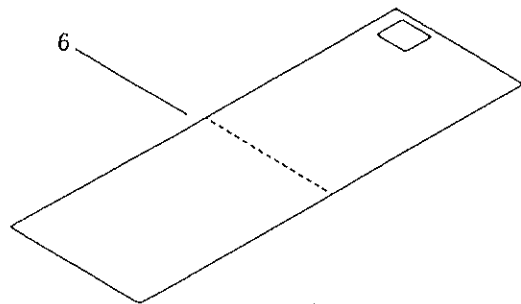
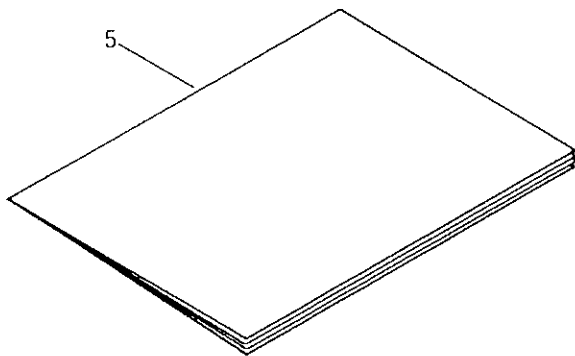
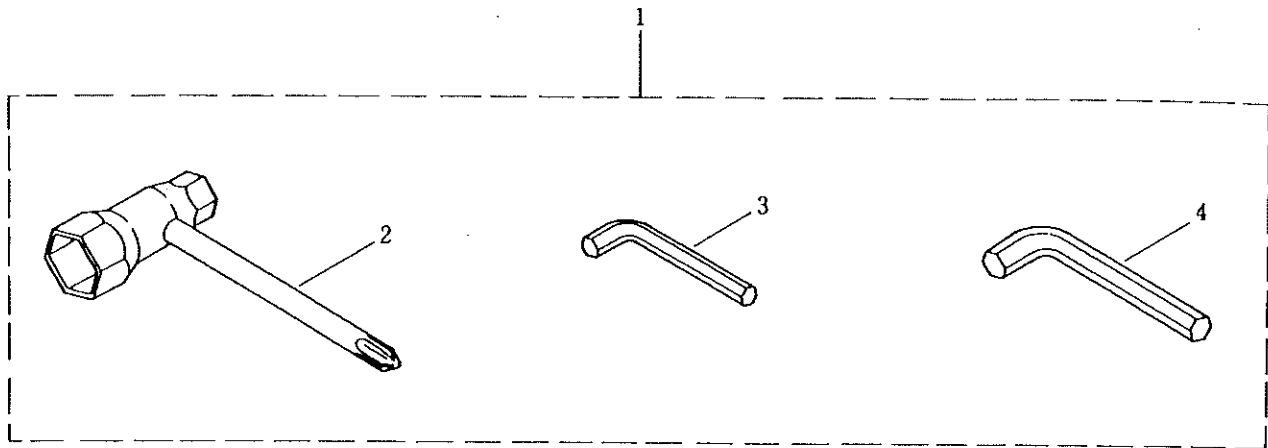
Ref. No	Part No.	Part Name	Q'ty	Remarks
2-41	263570	Rotor/Fan	1	
2-42	264969	Ignition Coil	1	Incl. 43~49
		Ass'y		
2-43	264970	Coil	1	
2-44	261744	Spark Plug Wire	1	Incl. 45~47
		Ass'y		
2-45	261071	Spark Plug Wire	1	
2-46	261074	Plug Boot	1	
2-47	261075	Connector	1	
2-48	261072	Cap	1	
2-49	261073	Insulator	1	φ 6x φ 6. 8x80L
2-50	261076	Woodruff Key	1	
2-51	261077	Nut, Rotor	1	M6
2-52	261078	Spacer	2	
2-53	261256	Cap Screw	2	M4x25
2-54	261200	Spark Plug	1	NGK BPM6Y
2-55	012487	Washer	1	M5
2-56	261202	Grommet	1	
2-57	265081	Plate	1	
2-58	264544	Tank Ass'y	1	Incl. 59~69
2-59	264545	Fuel Tank	1	
2-60	264579	Tank Cap Ass'y	1	Incl. 61, 62
2-61	264580	Breather Ass'y	1	
2-62	265593	Gasket	1	
2-63	265928	Fuel Pipe Pick-up	1	Incl. 64~69
		Ass'y		
2-64	265929	Fuel Pipe Ass'y	1	Incl. 65~67
2-65	265869	Grommet	1	
2-66	262649	Fuel Pipe	1	
2-67	263038	Return Pipe	1	φ 3x φ 6x85L
2-68	261797	Fuel Filter Ass'y	1	
2-69	261117	Clip	1	
2-70	264318	Pad	2	
2-71	263824	Pad	1	
2-72	261117	Clip	1	
2-73	265925	Cap Screw	1	M5x25
2-74	265199	Stay	1	
2-75	261878	Nut	1	
2-76	264736	Adapter	1	
2-77	089901	Spring Washer	1	M5

3 • CARBURETOR & REWIND STARTER



Ref. No	Part No.	Part Name	Q'ty	Remarks
3- 1	266343	Carburetor Ass'y	1	Incl. 2~15
3- 2	261871	O-Ring	1	
3- 3	262121	Main Jet	1	#41
3- 4	262995	Gasket	1	
3- 5	262994	Diaphragm, Fuel Pump	1	
3- 6	264155	Pump Body	1	
3- 7	262993	Gasket	1	
3- 8	261873	Diaphragm, Metering	1	
3- 9	262991	Purge Body	1	
3-10	261874	Primer Bulb	1	
3-11	262992	Cover Plate	1	
3-12	262996	Screw	4	
3-13	261876	E-Ring	1	
3-14	261658	Swivel	1	
3-15	264682	Screw	2	
3-16	261864	Gasket	2	
3-17	265973	Baffle Plate	1	
3-18	264604	Cable Comp	1	
3-19	264721	Case Ass'y	1	Incl. 20, 21
3-20	264722	Case Body	1	
3-21	263815	Stay	1	
3-22	264016	Cap Screw	2	M5x60
3-23	263801	Screen	1	
3-24	263819	Foam Element	1	
3-25	263817	Cover Ass'y	1	Incl. 26~28
3-26	263818	Cover	1	
3-27	264022	Knob	1	
3-28	261734	Snap Ring	1	#5
3-29	264534	Recoil Starter Ass'y	1	Incl. 30~41
3-30	264083	Starter Ass'y	1	Incl. 31~36
3-31	115096	Rope Ass'y	1	Incl. 32, 33
3-32	261725	Starter Grip	1	
3-33	261627	Starter Rope	1	
3-34	261622	Spiral Spring	1	
3-35	261621	Pulley	1	
3-36	262922	Screw	1	
3-37	264085	Starter Pawl Ass'y	1	Incl. 38~41
3-38	261630	Pawl	1	
3-39	261631	Return Spring	1	
3-40	264086	Pawl Case	1	
3-41	020299	E-Ring	1	#4
3-42	264535	Screw	2	M6x20
3-43	264807	Cap Screw	4	M5x16
3-44	266386	Label	1	

4 • ACCESSORIES



Ref. No	Part No.	Part Name	Q'ty	Remarks
4- 1	264606	Tool Set	1	Incl. 2~4
4- 2	264607	Box Spanner	1	10x19x(+)
4- 3	219431	Wrench	1	3mm
4- 4	219432	Wrench	1	4mm
4- 5	270171	Owner's Manual	1	
4- 6	216007	Warranty Card	1	

INFORMATION ABOUT CHANGE OF PARTS

APPLY TO MODELS	HT2300D/HT2300D-L and others		
PART NO. & PART NAME	991973 Reinforcing Plate		
DESCRIPTION OF CHANGE			
BEFORE THE CHANGE	AFTER THE CHANGE		
<p>991914 Screw (1pc.) 997284 Screw (2pcs.)</p>	<p>* Addition</p> <p>991973 Reinforcing Plate</p> <p>991912 Screw (1pc.) 991931 Screw (2pcs.)</p>		
REASON FOR CHANGE			
①QUALITY IMPROVEMENT	2.MATERIAL IMPROVEMENT		
3.MACHINING IMPROVEMENT	4.ASSEMBLING IMPROVEMENT		
5.SAFETY	6.STANDARDIZATION	7.AVAILABILITY	
8.OTHERS			
WHEN TO APPLY (OR MFG.NO.~)	2001.1.		
INTERCHANGEABILITY			
1.OLD ↔ NEW	2.OLD → NEW	3.OLD ← NEW	*④OLD ←×→ NEW
HOW TO DISTINGUISH BETWEEN NEW AND OLD			
①FROM APPEARANCE	2.BY MARKING	3.OTHERS	
REMARKS			
* There are an interchange with assy between old type and new type.			

